

4

3

2

1

THIS DRAWING IS UNPUBLISHED.  
DIFFUSION RESEINTE AMP

RELEASED FOR PUBLICATION

.19

© COPYRIGHT 1997

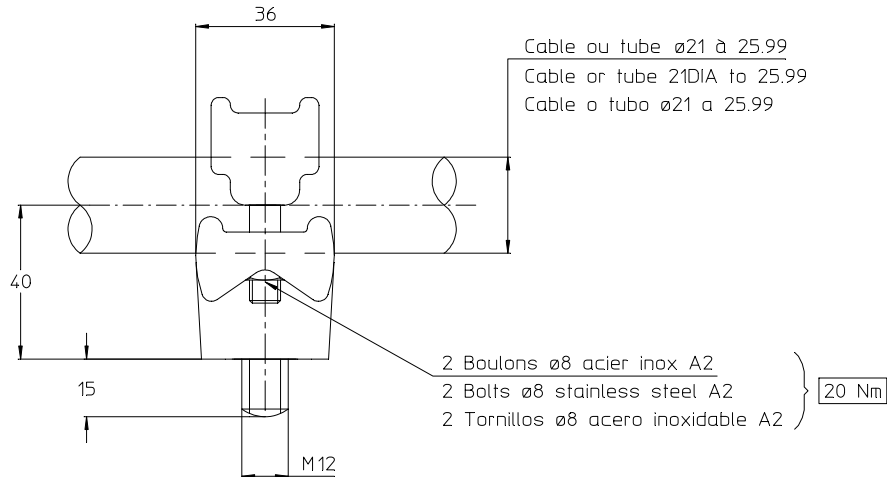
BY AMP INCORPORATED.

ALL RIGHTS RESERVED.  
TOUS DROITS RESERVES

LOC DIST  
FH 2

REVISIONS

P	LTR REV	DESCRIPTION MODIFICATIONS	DATE	DWN DESS.	APVD APP.
	A	EQ00-0327-06	24-Jul-06	EN	LR



<small>THIS DRAWING IS A CONTROLLED DOCUMENT FOR AMP INCORPORATED. IT IS SUBJECT TO CHANGE AND THE CONTROLLING ENGINEERING ORGANIZATION SHOULD BE CONTACTED FOR THE LATEST REVISION. CE PLAN EST UN DOCUMENT CONTROLÉ PAR AMP INCORPORATED. IL EST SUSCEPTIBLE D'ÊTRE REVISÉ, CONTACTER LE SERVICE TECHNIQUE D'AMP SIMEL POUR OBTENIR LA DERNIÈRE REVISION.</small>		DWN /DESSINE NIVONIS	24-Jul-06		 21220 Gevrey Chambertin FRANCE	
<small>DIMENSIONS: mm</small>		CHK /VERIFIE GODARD	24-Jul-06			
<small>TOLERANCES UNLESS OTHERWISE SPECIFIED PER TOLERANCES NON SPECIFIEES SELON : -</small>		APVD /APPROUVE ROYER	NAME TITRE	S 82 M12 25		
		PRODUCT SPEC SPEC. PRODUIT 02BFC0031	APPLICATION SPEC SPEC. APPLICATION -	SIZE FORMAT	CAGE CODE	
MATERIAL MATIERE	FINISH FINITION	WEIGHT MASSE APPROX.	0.3 KG	A3	00779	
-		CUSTOMER DWG / PLAN CLIENT		UNIQUEMENT FOUR REFERENCE	SCALE ECHELLE 3/4	DRAWING NO NO PLAN C=1951611
				SHEET FEUILLE 1	OF DE 1	REV A

ITEM: .....

